

IRT

IRT ELECTRONICS PTY LTD
26 Hotham Parade, ARTARMON, N.S.W. 2064 Australia
Phone: (ISD Code 61) (02) 439 3744 Fax: (02) 439 7439 Telex: AA122130

VA-100N

VIDEO DISTRIBUTION AMPLIFIER

SCHEDULE.....
CONTRACT.....
CONTRACT
ITEM No.....
SERIAL
ITEM No.....
MATERIAL
ACCEPTANCE
CERTIFICATE.....

801154

21-02-1985

DESIGNED AND MANUFACTURED
IN AUSTRALIA

VA-100N
VIDEO DISTRIBUTION AMPLIFIER
INSTRUCTION BOOK

Section	Contents	Page
1.	General Description	3.
2.	Accessories Available	4.
3.	Technical Specifications	5.
4.	Circuit Description	7.
5.	Installation	9.
6.	Setting up Procedure	10.
7.	Maintenance	11.
8.	Table of Voltages	12.
9.	Test Procedure	13.
10.	Circuit Diagrams	
11.	Parts Lists	

W A R N I N G

OPERATION OF ELECTRONIC EQUIPMENT INVOLVES THE USE OF VOLTAGES AND CURRENTS WHICH MAY BE DANGEROUS TO HUMAN LIFE. OPERATING PERSONNEL SHOULD OBSERVE ALL SAFETY REGULATIONS. DO NOT CHANGE COMPONENTS OR MAKE ADJUSTMENTS INSIDE THE EQUIPMENT WITH POWER ON UNLESS PROPER PRECAUTIONS ARE OBSERVED. NOTE THAT UNDER CERTAIN CONDITIONS DANGEROUS POTENTIALS MAY EXIST IN SOME CIRCUITS EVEN THOUGH POWER CONTROLS ARE IN THE OFF POSITION.

GENERAL DESCRIPTION

The VA-100N is a D.C. powered Video Distribution Amplifier of modular construction having facilities for cable equalization and longitudinal hum reduction.

The input is designed to provide a bridging loop impedance over the video bandwidth with respect to 75 ohm. Six 75 ohm A.C. coupled outputs are provided.

The input is isolated to enable rejection of longitudinally developed hum.

Cable equalization is provided for up to 300 metres of Belden 8281 75 ohm video cable.

Front panel controls allow the video gain to be varied by +/- 3dB, and the cable equalization to be independently set to compensate for the appropriate length of cable. Internal pre-set controls allow adjustment of the amplifier high frequency response, low frequency response, optimization of the longitudinal hum rejection, the D.C. regulator output voltage and output stage D.C.

The VA-100N is operated from negative 48V D.C.

Equipment provided:-

1	VA-100N Video Distribution Amplifier
1	Slide Tray
1	RB-1N Rear Assembly

ACCESSORIES AVAILABLE

- F-100D Module Mounting Frame :-
Provides mounting for up to 10
VA-100N amplifiers side by side
in 134mm of standard Rack space.
(3 Rack Units)
- TME-1A Module Extender: Enables a module
to be operated in position and provide
access to all circuit boards, transistors
and internal adjustments.
- RB-1N Rear Assembly: An additional rear
assembly may be purchased to permit
bench testing and servicing of the
amplifier without disturbing the
rear assemblies supplied with the
amplifiers.

TECHNICAL SPECIFICATIONS

Power Requirements -	47 to 53V D.C. Positive Earthed, @ 125mA maximum.
Input Characteristics	
Input impedance:	Bridging, loop input with a return loss on 75 ohms of 36dB when tested with a Sine squared T pulse.
Input Signal Range:	0.5V to 2.0V P-P composite or non-composite video for 1V P-P video output.
Input connector:	1.6/5.6
Transfer Characteristics	
Overall Gain:	+/-3 dB.
Frequency Response:	+/-0.1 dB to 10 MHz. (0.5V P-P Sweep signal)
Rise and Fall Times:	Less than 15nS
Pulse and Bar Response:	K Factor less than 0.2% on Sine Squared T pulse.
Differential Phase: at 4.43 MHz	Using Tektronix 141 Signal Generator less than 0.5 deg at 1V P-P out.
Differential Gain: at 4.43 MHz	Using Tektronix 141 Signal Generator less than 0.5% at 1V P-P out.
Gain Stability:	+/-0.1 dB over the operating temperature and battery voltage range.
Low Frequency Response:	K factor on 50 Hz Square wave: less than 0.4%
Noise:	Less than 60 dB RMS below 1V P-P
Temperature Operating Range:	10 deg C to 55 deg C
Longitudinal Hum Rejection:	With input and output grounds isolated, better than 40dB at 50Hz.
Cable Equalization:	Front Panel Control:- Equalizing of up to 300 metres of 75 ohm cable.

Output Characteristics

Number of Outputs: 6-A.C. coupled

Output Impedance: 75 ohm with a return loss better than 30 dB on a Sine Squared T Pulse.

Output Load Impedance: 75 ohm

Maximum Outputs: 2.0V P-P comp. or Non comp. Video
3.0V P-P Sine Wave at 1MHz.
2.5V P-P Sine Wave at 5MHz.
2.0V P-P Sine Wave at 10MHz.

Output connector: 1.6/5.6

CIRCUIT DESCRIPTION

The VA-100N consists of a common emitter stage providing a high input impedance and signal inversion followed by two inverting stages, a driving stage and a low impedance output stage.

Amplifier Stages

Q2 and Q3 form a high impedance common emitter stage to bridge the video line and provide common mode rejection and inversion of the input signal. The load placed across the input line by the common emitter stage is compensated within the pass band by a series inductance mounted in the rear assembly.

The collector of Q2 is D.C. coupled to Q9 which again inverts the signal and provides feedback via R6 to the base of Q3, and also drives via R10/C8, a further inverting stage Q4. The gain of the amplifier is set by front panel control RV1. The signal is once more inverted and fed via the collector of Q4 to the base of Q5 which provides the drive to the output stage. L1 in the emitter of Q5 tailors the amplifier response and prevents amplifier instability. The signal from the Q5 collector feeds the base of output drive transistor Q6. A portion of the inverted signal from the Q6 collector is fed via ZD2 and C7 to the base of Q7. Q6 and Q7 operate in a push pull mode to provide a very low output impedance.

A.C. feedback is taken from the output side of the output coupling capacitors via R18, R20, C12 and C13 to the emitter of Q4. Thus Q4, Q5 and Q7 form a 12 dB gain stage with low impedance.

Varying C12 provides adjustment to the high frequency response. C24 and RV5 provide compensation for the low frequency response.

R24 to 29 provide output impedance of 75 ohm for the six outputs.

R22 provides an earth return for the output capacitors whenever the outputs are unterminated.

Power Supply

The series regulator Q1, Zener ZD1 and control transistor Q8 and Q10 provide a regulated supply of approximately 20V.

Under fault conditions the maximum current that can be drawn by the amplifier is limited by resistor R23. The power rating of this resistor is such that it will remain within its ratings even if the amplifier power rail is short circuited.

Cable Equalization

To provide a rising response necessary to equalize long video cables the emitter resistor RV2 of Q4 is partially bypassed by the network comprising R30-33 and C17-20 and C25-28. This network is factory adjusted to suit Belden type 8281 75 ohm Coaxial Cable. Should other cable equalizers be required they can be fitted inside the amplifier chassis on standoffs. The wire link between RV2 and R33 is easily removeable, facilitating the connections of the new equalizer.

IRT Communications
www.irtcommunications.com

INSTALLATION

The VA-100N is supplied with a slide tray, rear assembly and associated hardware, for mounting in an F-100D frame.

Slide Tray

The slide tray is a shallow tray which supports the amplifier in the frame. It is mounted on the front and rear cross members of the frame and is fixed in place with steel clips (speed nut type) provided.

Rear Assembly

The rear assembly is mounted on the rear of the frame with the screws provided. Care should be taken not to over tighten these screws, as excessive force will damage the thread in the mounting frame.

Signal Connections

Signal connections are made via coaxial connectors mounted on the rear assembly. The input loop, if not used should be terminated in 75 ohm as should any unused outputs of the amplifier.

SETTING UP PROCEDURE

The amplifier should be set up in the position in which it is intended to be operated. Adjustments can then be made using the intended lengths of cable and with all outputs terminated as they would be in service.

The cable equalizing should be set to its minimum and the gain control adjusted to give the required low frequency gain. Using a suitable test signal, such as pulse and bar, multiburst or sweep, the cable equalization can be advanced to compensate for cable losses.

It should be noted that the equalizers are factory set to match Belden type 8281 75 ohm cable.

Whilst for short runs this equalizer will be satisfactory for most 75 ohm solid dielectric cables, for longer runs of some cables the equalizer may have to be reset (a factory adjustment) or replaced with a specially designed module.

MAINTENANCE

Once having been adjusted the Video Distribution Amplifier will need little attention. It is wise however to occasionally check the adjustments as described earlier. This will also be necessary after a component has been replaced.

Most faults can be readily traced by checking the D.C. voltages at various points in the circuit. The table of voltages given in this book can be used as a guide but deviations sometimes in the vicinity of ± 1 volt can be expected in some units. The voltages should be checked starting from the input as the D.C. conditions of the whole amplifier are set in the first stage, thus a fault early in the circuit will cause errors at the output.

TABLE OF VOLTAGES

Q	Emitter	Base	Collector
1	19.8	20.5	27.0
2	5.5	6.1	19.1
3	5.5	6.1	19.8
4	5.5	6.1	19.1
5	19.7	19.1	5.6
6	5.0	5.65	15.0
7	0	0.7	5.0
8	5.7	6.3	20.4
9	19.8	19.2	6.1
10	43.0	42.6	20.4

All voltages measured with a high input impedance multimeter under conditions of unity gain. All voltages are measured with respect to earth. Supply voltage is -50.0V D.C. Test signal is 1V P-P composite Stair Step.

I.R.T. VIDEO DISTRIBUTION AMPLIFIER: TYPE VA-100N

TEST PROCEDURE

TEST	TEST EQUIPMENT	TOLERANCE
Plug unit under test into Testing Jig which has all six outputs terminated in 75 ohms, and apply 50V DC power. Set control RV2 to minimum. Set over-all gain to Output 6 to approximately 0dB using RV1(Gain). Check for similar output level on other 5 outputs.	CRO, CRO probe, 141 Signal Gen, 75 ohm termination.	
Set regulator output volts to -19.8	Voltmeter.	19-20V
Adjust DC voltage at -ve lead of C14 using RV3 to approximately 4.8V	Voltmeter.	4.2-5.4V
Using co-axial transformer, adjust HUM BAL (RV4) for maximum hum rejection. Result to be within tolerance.	Co-axial Transformer, CRO, 141 Sig Gen.	>40dB
Measure output signal amplitude on an output at maximum and minimum setting of Gain (RV1). Result to be within tolerance.	CRO, 141 Sig Gen, 75 ohm term.	<0.7V >1.4V
Adjust Tilt (RV5) for minimum tilt using Field Rate Square Wave test signal. Result to be within tolerance.	148 Sig Gen, CRO, 75 ohm term	0.5%
Using Marconi TF1099 Differential Sweep Unit adjust C12 for 0dB gain at 10MHz. (Sweep output set to 0.5V P-P approximately). Passband ripple to be within tolerance.	TF1099 Sweep, CRO.	+/- .1dB <10MHz
Using a mod staircase signal and Vectorscope measure the differential phase at 4.43MHz at 1V P-P and an APL of 100%. Result to be within tolerance.	141 Sig Gen, 520 Vectorscope.	0.5 deg
Using equipment as above measure differential gain. Result to be within tolerance.	As above	0.5%

Using a mod stairstep signal and Vectorscope measure the differential phase at 4.43 MHz at 1.4V P-P, and an APL of 100%. Use the standard 1V P-P signal as the input but increase the gain to achieve the 1.4V P-P output signal. Result to be within tolerance.	As above	1 deg
Using equipment and setup as above measure differential gain. Result to be within tolerance. At completion of test return gain to 0dB.	As above	1 %
Check regulator output voltage (-ve lead of C3) is constant for input voltages between 47 and 53.	Variable PSU, Voltmeter	+/- .1V
Check VDA still operates with supply voltage of 43 ie still passes video but with some low frequency distortion	141 Sig Gen, Variable PSU, CRO	
With gain set at 0dB read noise at output in V RMS. Result to be within tolerance.	310B VTVM	200uV
Check return loss at input. Result to be within tolerance.	1T P&B Return Loss Bridge, CRO	36dB
Check return loss of an output. Result to be within tolerance.	As above	30dB
Check isolation between outputs 4 & 5 at 4.43 MHz. Result to be within tolerance.	Vector Volt Meter, Sub-Carrier	40dB
Check amplifier stability by removing all output terminating resistors.	CRO	
Adjust cable equaliser. (RV2, C17-20)	CRO, 1T P&B, Belden 8281 co-ax.	Best fit.
Adjust knob on RV1 to show 0 for 0DB gain.		
Vibration test the VDA.		

I.R.T VIDEO DISTRIBUTION AMPLIFIER

TYPE VA-100N

TEST RESULTS

For explanation of tests refer to Drawing 801182

TEST	RESULT	TOLERANCE.
O/P Test	All operative
Set Vrail	19-20V
O/P DC	4.2-5.4V
Hum rejection	40dB
Max gain	>1.4V
Min gain	<0.7V
Tilt	0.5%
Freq response	0.1dB
Delta Phase 1V	0.5 deg
Delta Gain 1V	0.5%
Delta Phase 1.4V	1.0 deg
Delta gain 1.4V	1.0%
Regulator	+/- .1V
43V operation	
Noise	200uV
I/P return loss	36dB
O/P return loss	30dB
O/P isolation	40dB
Stability	
Equaliser	
Gain Knob	
Vibration	

Testing Officer

Date / /

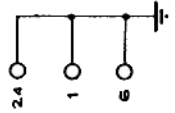
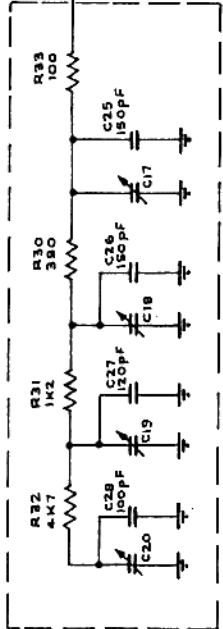
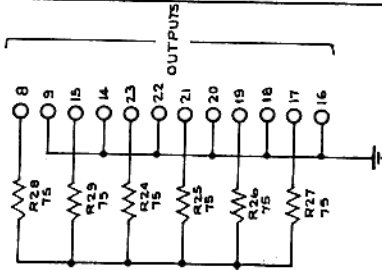
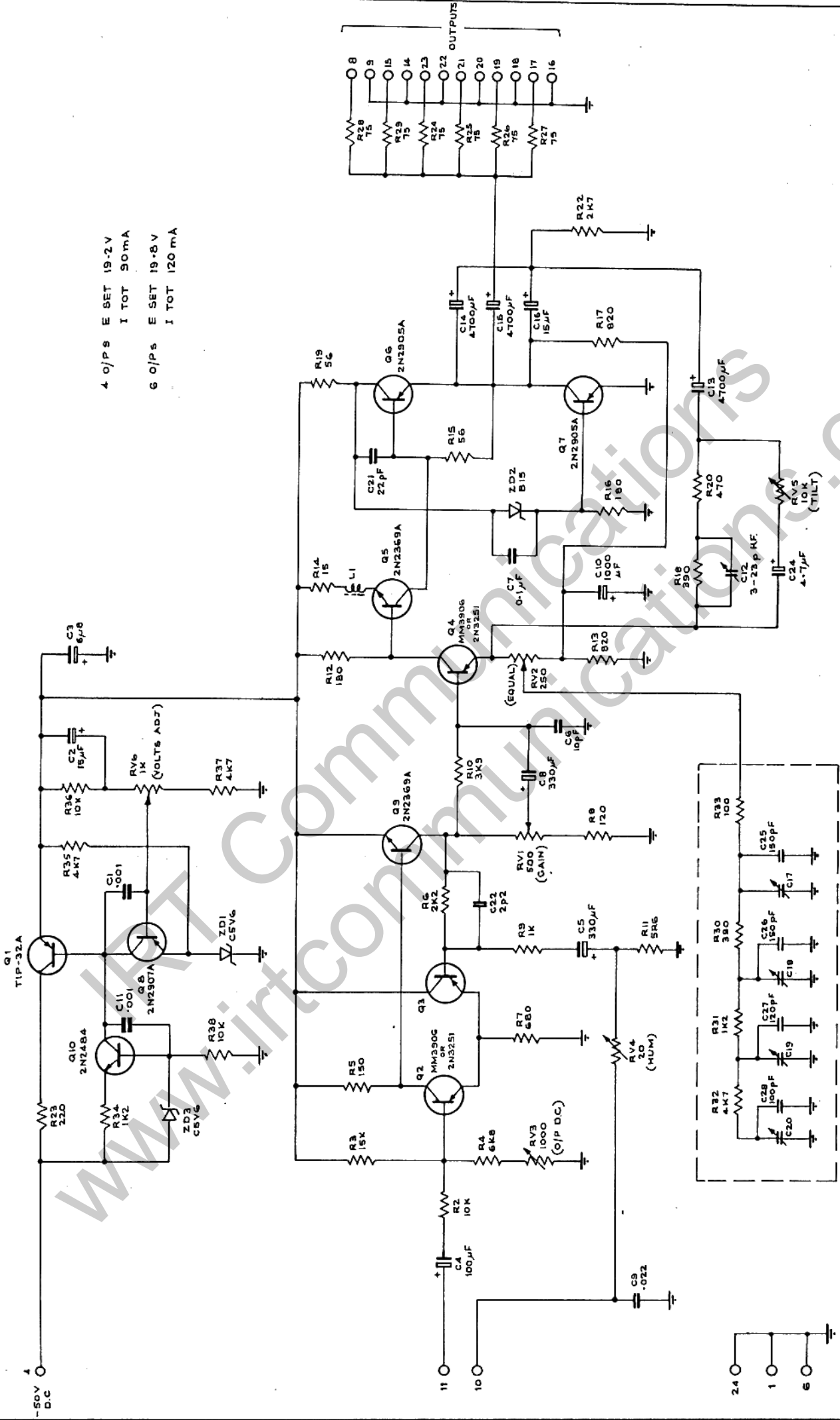
Serial No

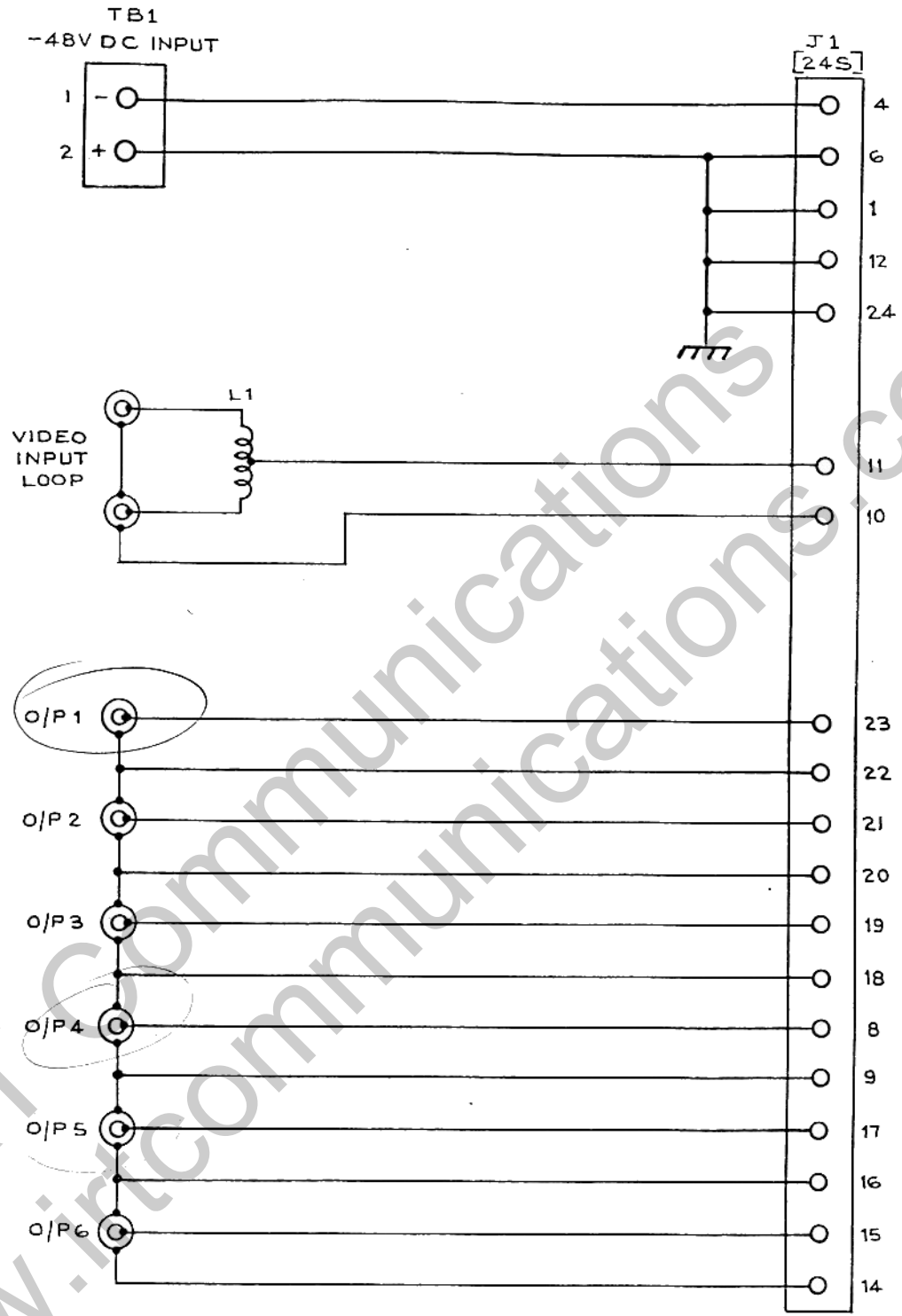
www.irtcommunications.com

DATE	12-7-67	ORIGINAL ISSUE
U	1	9
M	1	2
W	1	7
D	1	9
W	1	7
U	1	9

CONTRACT NO. 101-100-00000
 DO NOT COPY WORK DISCLOSE
 OR REPRODUCE WITHOUT
 WRITTEN COMMENT
 DRAWN DATE
 CHECKED
 ENG. APP.
 UNLESS OTHERWISE SPECIFIED
 DIMENSIONS ARE IN MM
 FRACTIONS DECIMALS ANGLES

4 O/Ps E SET 19.2V
 I TOT 90mA
 6 O/Ps E SET 19.8V
 I TOT 120mA





USE WITH

VA-100N	
VA-132N	

ORIGINAL ISSUE	2	© COPYRIGHT DO NOT COPY NOR DISCLOSE TO ANY THIRD PARTY WITHOUT WRITTEN CONSENT		IRT		
	DATE 12.8.84	DRAWN	BAS	DATE	TITLE RB-1N REAR ASSY.	
		TAPED				
		CHECKED	KN			
UNLESS OTHERWISE SPECIFIED DIMENSIONS ARE IN MM FRACTIONS DECIMALS ANGLES		CONTRACT NO.	DRAWING NO.	SHEET OF		
			801180	OF		
		IRT		IRT Electronics Pty Ltd. 26 Hotham Pde., Artarmon, Australia 2064		

I . R . T . ELECTRONICS PTY . LTD .

Replacement Parts List VA-100N VIDEO DISTRIBUTION AMPLIFIER 801154

Part No.	Description.	Qty.	Cct Ref.	Sup.
RMF252-10K	RESISTOR METAL FILM .25W 2%	1	R2	92
RMF502-5R6	RESISTOR METAL FILM .5W 2%	1	R11	92
RMF502-15R	RESISTOR METAL FILM .5W 2%	1	R14	92
RMF502-56R	RESISTOR METAL FILM .5W 2%	2	R15, 19	92
RMF502-75R	RESISTOR METAL FILM .5W 2%	6	R24-29	92
RMF502-100R	RESISTOR METAL FILM .5W 2%	1	R33	92
RMF502-120R	RESISTOR METAL FILM .5W 2%	1	R8	92
RMF502-150R	RESISTOR METAL FILM .5W 2%	1	R5	92
RMF502-180R	RESISTOR METAL FILM .5W 2%	2	R12, 16	92
RMF502-390R	RESISTOR METAL FILM .5W 2%	2	R18, 30	92
RMF502-470R	RESISTOR METAL FILM .5W 2%	1	R20	92
RMF502-680R	RESISTOR METAL FILM .5W 2%	1	R7	92
RMF502-820R	RESISTOR METAL FILM .5W 2%	2	R13, 17	92
RMF502-1K	RESISTOR METAL FILM .5W 2%	1	R9	92
RMF502-1K2	RESISTOR METAL FILM .5W 2%	2	R31, 34	92
RMF502-2K2	RESISTOR METAL FILM .5W 2%	1	R6	92
RMF502-2K7	RESISTOR METAL FILM .5W 2%	1	R22	92
RMF502-3K9	RESISTOR METAL FILM .5W 2%	1	R10	92
RMF502-4K7	RESISTOR METAL FILM .5W 2%	3	R32, 35, 37	92
RMF502-6K8	RESISTOR METAL FILM .5W 2%	1	R4	92
RMF502-10K	RESISTOR METAL FILM .5W 2%	2	R36, 38	92
RMF502-15K	RESISTOR METAL FILM .5W 2%	1	R3	92
PW10-220R	RESISTOR WIRE WOUND 10W 5%	1	R23	51
H2072Z01	PCB PINS	2		54
63P200	RESISTOR VARIABLE 20R	1	RV4	69
63P102	RESISTOR VARIABLE 1K	2	RV3, 6	69
63P103	RESISTOR VARIABLE 10K	1	RV5	69
4322-020-3442	FERRITE BEAD	1	L1	81

I . R . T . ELECTRONICS PTY . LTD .

Replacement Parts List VA-100N VIDEO DISTRIBUTION AMPLIFIER 801154

Page 2 of 3

Part No.	Description.	Qty.	Cct Ref.	Sup.
301N7502P2	CAPACITOR TUBULAR CERAMIC 2.2pF	1	C22	92:
CC10P	CAPACITOR CERAMIC 10pF	1	C6	43:
CC22P	CAPACITOR CERAMIC 22pF	1	C21	43:
CC100P	CAPACITOR CERAMIC 100pF	1	C28	43:
CC120P	CAPACITOR CERAMIC 120pF	1	C27	43:
CC150P	CAPACITOR CERAMIC 150pF	2	C25, 26	43:
CC10N	CAPACITOR CERAMIC 10nF	1	C1	43:
CC22N	CAPACITOR CERAMIC 22nF	1	C9	43:
CC100N	CAPACITOR CERAMIC 100nF	1	C7	43:
TAS475K020POC	CAPACITOR TANTALUM 4.7/20V	1	C24	92:
TAS685K035POC	CAPACITOR TANTALUM 6.8/35V	1	C3	67:
TAS156K020POC	CAPACITOR TANTALUM 15/20V	2	C2, 16	67:
TAS337K006POG	CAPACITOR TANTALUM 330/6V	2	C5, 8	67:
PEG123HA310	CAPACITOR ALUM 100/25V	1	C4	67:
PEG124EF410	CAPACITOR ALUM 1000/10V	1	C10	76:
PEG123DJ447	CAPACITOR ALUM 4700/6.3V	3	C13-15	76:
808-11229	CAPACITOR VARIABLE 2-20pF	1	C12	76:
TZ03P600E	CAPACITOR VARIABLE 10-60pF	4	C17-20	43:
BZX79B5V6	DIODE ZENER 5.6V 10%	2	ZD1, 3	51:
BZX79B15	DIODE ZENER 15V 5%	1	ZD2	43:
TIP 32A	TRANSISTOR POWER TO-220 PNP	1	Q1	43:
2N2369A	TRANSISTOR RF TO-18 NPN	2	Q5, 9	81:
2N2484	TRANSISTOR AUDIO TO-18 NPN	1	Q10	81:
2N2905A	TRANSISTOR HF TO-39 PNP	2	Q6, 7	81:
2N2907A	TRANSISTOR HF AMP TO-18 PNP	1	Q8	81:
MM3906/2N3251	TRANSISTOR RF AMP TO-18 PNP	3	Q2-4	81:
2230B-5	HEAT SINK TO-5	2		81:
5022	CO-AX CABLE RG-1788/U	.23m		20:

I . R . T . ELECTRONICS PTY . LTD .

Replacement Parts List VA-100N VIDEO DISTRIBUTION AMPLIFIER 801154

Page 3 of 3

Part No.	Description.	Qty.	Cct Ref.	Sup.
: STANDOFF .25	: STANDOFF 6Bax1/4"	: 6	:	: 43:
: PC802054	: PCB VA-100N ISSUE 1	: 1	:	: 68:
: WA2G024S251U	: RESISTOR VARIABLE 250R	: 1	: RV2	:
: WA2G024S501U	: RESISTOR VARIABLE 500R	: 1	: RV1	: 2 :
: 021-1220	: KNOB 9mm x .125 BLACK + LINE	: 2	: RV1,2	: 2 :
: 040-1620	: CAP 7mm BLACK + LINE	: 2	: RV1,2	: 10:
: 26-4100-24P	: CONNECTOR 24 PIN P	: 1	: P1	: 10:
: E801172	: ESCUTCHEON VA-100N	: 1	:	: 54:
: 801567	: HANDLE S/W	: 1	:	: 62:
: 800028	: COVER S/W MODULE	: 1	:	: 26:
: 800029	: FRAME S/W MODULE	: 1	:	: 26:
: 801775	: SIDE COVER	: 1	:	: 26:
: SBV1700/14/0016:	: BRASS STUD	: 1	:	: 26:
: SNU/0520/17/4	: "U" NUTS	: 1	:	: 70:

I.R.T. ELECTRONICS PTY. LTD.

Replacement Parts List RB-1N REAR ASSEMBLY 801180 ISSUE 2

Part No.	Description.	Qty.	Cct Ref.	Sup.
26-4200-24S	CONNECTOR 24 PIN S	1	J1	54
AC40334-A76-A14	CONNECTOR COAXIAL 1.5/6	8		86
251062530	TERMINAL BLOCK	1	TB1	61
PC801957	PCB I/P LOOP COMP	1	L1	68
PC801171	REAR PLATE RB-1N	1		26
800319	CHASSIS REAR ASSY S/W	1		26
800320	SIDE PLATE REAR ASSY	1		26
	SCREW ALLEN HEAD 4BA BLK	2		4