

Composite to 270 Mb/s SDI Converter

FEATURES

- Configurable for Composite, YP_bP_r or YC video inputs.
- PAL or NTSC operation with auto switching.
- 2 SDI 270Mb/s outputs.
- 2 AES or 4 Analogue Audio Inputs.
- Group 1 – SMPTE 272M-A synchronous 48 kHz audio insertion.
- Video input indicator on front panel.

GENERAL

The DVC-4360 is a PAL / NTSC composite to 270Mb/s serial digital (SDI) video converter, complete with Group 1 analogue or AES audio insertion.

The DVC-4360 provides two SDI outputs.

Audio channel allocation and source selection is provided by links on the main board.

The DVC-4360 is designed to provide a composite to SDI conversion using the latest digital filtering techniques.

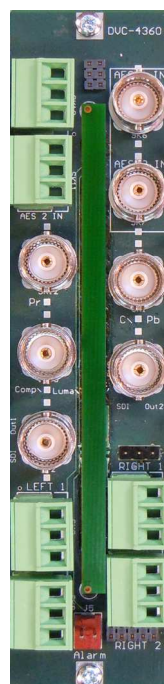
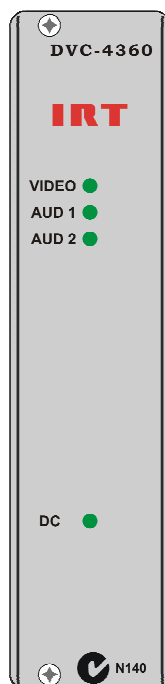
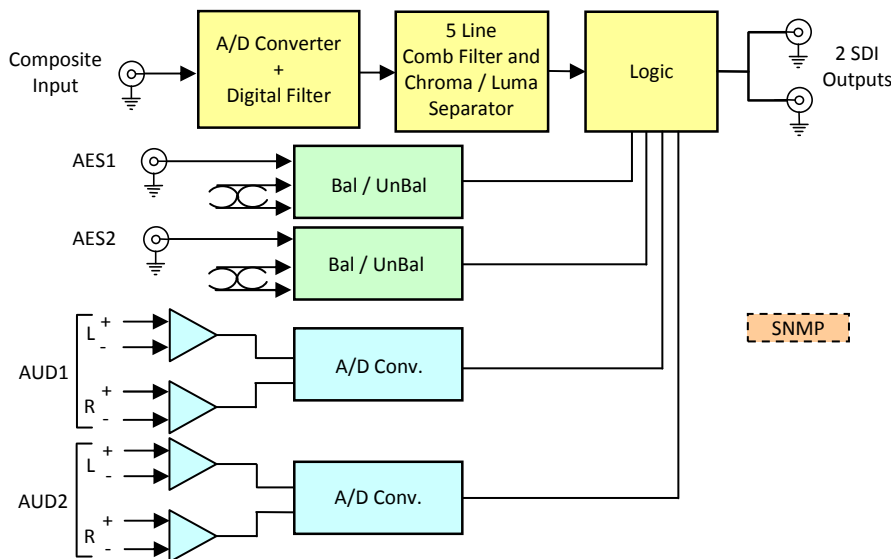
The DVC-4360 is also configurable for YP_bP_r or YC video inputs.

The composite input section, shown in the block diagram above, automatically detects the composite input standard (PAL or NTSC) and generates the appropriate 625 or 525 SDI format.

Link settings are provided for default output on signal loss. This is either blue or black in 625 or 525.

The DVC-4360 is designed to fit IRT's standard Eurocard frames as well as IRT's 4000 series frame for use with IRT's SNMP system and may be used alongside any other of IRT's analogue or digital Eurocards.

BLOCK DIAGRAM DVC-4360 SIGNAL PATH



TECHNICAL SPECIFICATIONS

Input – Analogue Video:

Connector	1 x BNC.
Formats	1 Vp-p Composite / YP _b P _r / YC.
Impedance	75Ω.

Input – Analogue Audio:

Connector	4 x Phoenix pluggable screw block.
Formats	Balanced.
Impedance	10 kΩ.

Input – Digital Audio:

Connector	2 x Phoenix pluggable screw block.
Formats	Balanced AES.
Impedance	110 Ω.

Connector	2 x BNC.
Formats	Unbalanced AES.
Impedance	75 Ω.

Outputs - Digital:

Number	2.
Connectors	BNC.
Format	270 Mb/s (Serial CCIR601, 4:2:2) SMPTE 259M.
Signal Level	800 mV ± 10%.

Outputs - Alarms:

Connectors	Polarised two pin connector.
Format	Contact closure on loss of video or power.

Power Requirements:

Voltage	28 Vac CT (14-0-14) or ± 16 Vdc.
Power consumption	7 VA.

Other:

Temperature range	0-50 ° C ambient.	
Mechanical	Suitable for mounting in IRT 19" rack chassis with input output and power connections on the rear panel.	
Finish	Front panel	Grey background, black lettering & red IRT logo.
	Rear assembly	Detachable silk-screened PCB with direct mount connectors to Eurocard and external signals.
Dimensions	32 mm x 3 U x 220 mm IRT Eurocard.	