

G.703 to ASI Network Interface Adapter

FEATURES

- Wide Range of G.703 to ASI conversions.
- De-interleaving.
- E3 or DS3 operation with automatic DS3 De-framing.
- De-scrambling.
- Reed Solomon correction.
- Packet length indication.

GENERAL

The MDR-3670 is part of a family of data transcoders for converting between the commonly used MPEG2 Transport Stream formats in the broadcast industry for video distribution.

The MDR-3670 operates with either an E3 (34.368 Mb/s) or DS3 (44.736 Mb/s) G.703 rates.

There are several industry modes of encoding that can be decoded by the MDR-3670. They are loosely classified as follows:

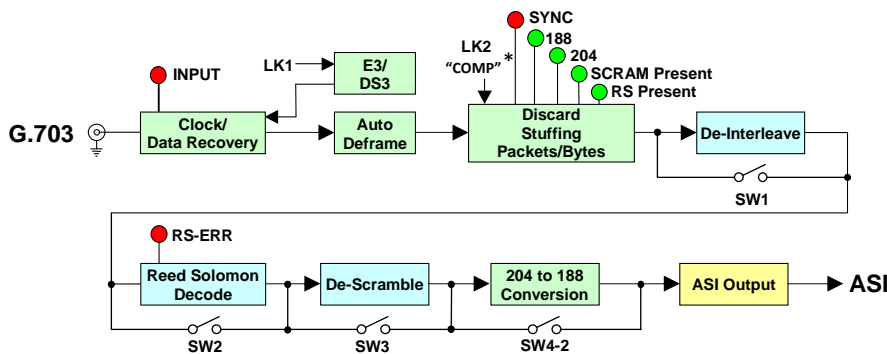
- Standard: IRT MDT-3570, DDC-3480
- Upstream: Similar to above
- Downstream: Packet stuffed
- Compatible: 9 bit decoding, IRT MFC-3485

This range covers most other manufacturer's equipment.

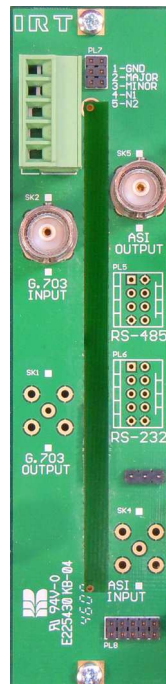
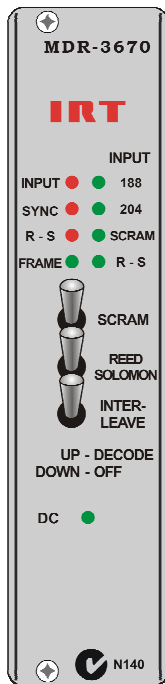
Front panel switches allow Reed Solomon correction and/or the removal of interleaving and scrambling (energy dispersal). On board switches allow 204 to 188 conversion, after decoding.

The MDR-3670 is fabricated in IRT's standard Eurocard format and may be housed in a variety of IRT's frames.

BLOCK DIAGRAM MDR-3670 SIGNAL PATH



* Compatible Mode



TECHNICAL SPECIFICATIONS

Inputs:

Type 1 x G.703, 75Ω BNC connector.
G.703 Rate E3 (34.368 Mb/s) or DS3 (44.736 Mb/s), link selectable.

Outputs:

Type 1 x ASI-C 75Ω, 800 mVp-p, BNC connector.

Alarms:

Major Relay NO/NC link selectable,
(Relay energised when Input Sync is obtained).
Minor Relay NO/NC link selectable,
(Relay energised when there are no Reed Solomon Errors).

Power Requirements:

Voltage 28 Vac CT (14-0-14) or ± 16 Vdc.
Power consumption < 5.5 VA.

Other:

Temperature range 0 - 50° C ambient.
Mechanical Suitable for mounting in IRT 19" rack chassis with input, output and power connections on the rear panel.
Finish: **Front panel** Grey background, black lettering & red IRT logo.
Rear assembly Detachable silk-screened PCB with direct mount connectors to Eurocard and external signals.
Dimensions 6 HP x 3 U x 220 mm IRT Eurocard
Supplied accessories Rear connector assembly including matching connector for alarm output.