

## Analogue Stereo Audio Distribution Amplifier

### FEATURES

- Selectable stereo or mono mode.
- Front panel gain adjustments.
- Balanced inputs and outputs.
- Selectable gain ranges: +6 dB, +12 dB & +18 dB.
- Front panel monitoring bantam jacks.
- Maximum output level +24 dBu.
- LED audio activity indicators.

### APPLICATIONS

- Stereo signal duplication and distribution.
- Level matching and balancing.

### GENERAL

The IRT AAA-3131 is a high performance audio distribution amplifier that can be used for either mono or stereo signals.

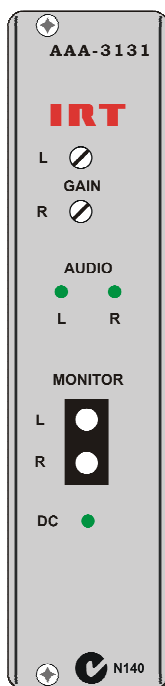
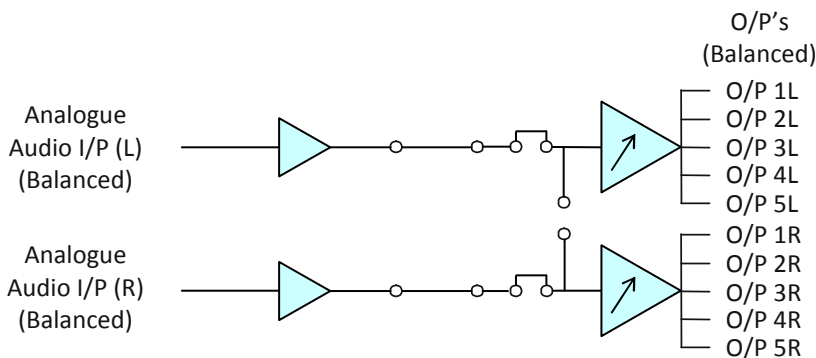
Inputs and outputs are balanced connector types, which can be wired for unbalanced operation, if needed, for duplicating applications.

Front panel access is provided for the gain adjustment of Left and Right channels from zero output to the maximum of the selected gain range.

LED's on the front panel indicate the presence of audio on each channel and balanced output bantam jacks are provided for front panel monitoring.

The AAA-3131 is fabricated in IRT's standard Eurocard format and may be housed in a variety of IRT Eurocard frames alongside other standard modules.

**BLOCK DIAGRAM AAA-3131 SIGNAL PATH**



## TECHNICAL SPECIFICATIONS

### Inputs: Left/Mono and Right

<b>Type</b>	Transformerless, balanced, bridging.
<b>Impedance</b>	> 10 k $\Omega$ .
<b>Maximum input level</b>	+24 dBu (6 dB gain mode).
<b>Input CMR</b>	> 55 dB 20 Hz to 20 kHz.

### Outputs:

#### Main: (Located on rear assembly.)

<b>Type</b>	Transformerless, balanced.
<b>Number</b>	10 (10 mono or 5 L and 5 R).
<b>Impedance</b>	< 40 $\Omega$ .
<b>Maximum output level</b>	+24 dBu into 600 $\Omega$ .
<b>Maximum output loading</b>	10 x 600 $\Omega$ or up to 26 High Z.
<b>DC on output</b>	< $\pm$ 20 mV.

#### Monitoring: (Located on front panel.)

<b>Type</b>	Transformerless, balanced.
<b>Number</b>	2 (L and R) Bantam Jack.
<b>Impedance</b>	< 70 $\Omega$ .
<b>Maximum output level</b>	+24 dBu into 600 $\Omega$ .
<b>Minimum output load</b>	1 k $\Omega$ .
<b>DC on output</b>	< $\pm$ 20 mV.

### Indicators:

<b>Audio activity</b>	2 front panel LED's set for +4 dBu @ 1 kHz (user adjustable).
-----------------------	---

### Performance:

<b>Gain</b>	Internally linked to a maximum gain of +6, +12 or +18 dB.
<b>Frequency response</b>	+ 0/- 0.3 dB for 20 Hz to 20 kHz.
<b>Harmonic distortion</b>	< 0.005%, 20 Hz to 20 kHz at +20 dBm.
<b>Noise</b>	-110 dB, Ref. +24 dBm, 20 Hz to 20 kHz.
<b>Crosstalk</b>	<b>Left/Right</b> -75 dB, 20 Hz to 20 kHz.
	<b>Amplifier/Amplifier</b> -80 dB, 20 Hz to 20 kHz.

### Power Requirements:

<b>Voltage</b>	28 Vac CT (14-0-14) or $\pm$ 16 Vdc.
<b>Power consumption</b>	< 5 VA.

**Connectors:** Phoenix pluggable screw block.

### Other:

<b>Temperature range</b>	0 - 50° C ambient.
<b>Mechanical</b>	Suitable for mounting in IRT 19" rack chassis with all connections at the rear.
<b>Finish:</b>	<b>Front panel</b> Grey background, black lettering & red IRT logo.
	<b>Rear assembly</b> Detachable silk-screened PCB with direct mount connectors to Eurocard and external signals.
<b>Dimensions</b>	6 HP x 3 U x 220 mm IRT Eurocard.
<b>Supplied accessories</b>	Rear connector assembly with Phoenix pluggable compression screw terminals. Matching connectors for audio inputs & outputs supplied.